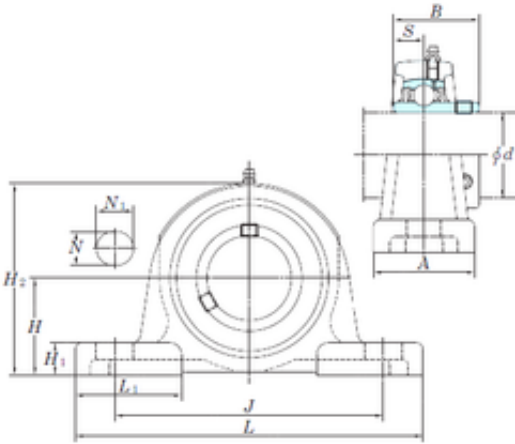




South sales.

KOYO UCPX15-47 Unidad De Rodamiento

Bearing No. UCPX15-47



UCPX15-47 Bearing 2D drawings and 3D CAD models

Bore Diameter	74,6125 mm
Width	82,6 mm
d	74,6125 mm
A	89 mm
B	82,6 mm
H	88,9 mm
H1	32 mm
H2	175 mm
J	229 mm
L	330 mm
L1	99 mm
N	27 mm
N1	50 mm
S	33,3 mm
Bolt (G)	M22
Weight	10,8 Kg
Basic dynamic load rating (C)	72,7 kN
Basic static load rating (C0)	53 kN