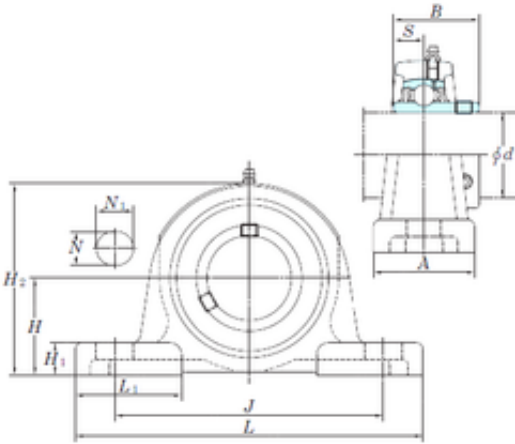




South sales.

KOYO UCP211 Unidad De Rodamiento

Bearing No. UCP211



UCP211 Bearing 2D drawings and 3D CAD models

Bore Diameter	55 mm
Width	55,6 mm
d	55 mm
A	60 mm
B	55,6 mm
H	63,5 mm
H1	19 mm
H2	125 mm
J	171 mm
L	219 mm
L1	70 mm
N	20 mm
N1	22 mm
S	22,2 mm
Bolt (G)	M16
Weight	3,6 Kg
Basic dynamic load rating (C)	43,4 kN
Basic static load rating (C0)	29,4 kN
Bearing No.	UCP211
Bolt size	M16
Cr	43.4
C0r	29.4
f0	14.4
(Refer.)Unit mass(kg)	3.6
Nipple size	R1/8