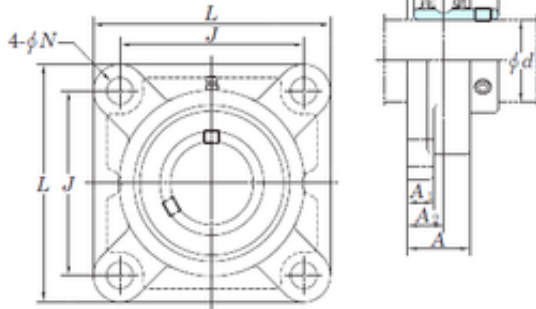




South sales.

KOYO UCF214 Unidad De Rodamiento

Bearing No. UCF214



UCF214 Bearing 2D drawings and 3D CAD models

Bore Diameter	70 mm
d	70 mm
A0	75,4 mm
A	54 mm
A1	22 mm
B	74,6 mm
J	152 mm
L	193 mm
N	19 mm
S	30,2 mm
Bolt (G)	M16
A2	31 mm
Weight	5,9 Kg
Basic dynamic load rating (C)	62,2 kN
Basic static load rating (C0)	44,1 kN
Bearing No.	UCF214
Bolt size	M16
Cr	62.2
C0r	44.1
f0	14.5
(Refer.)Unit mass(kg)	5.9
Nipple size	R1/8