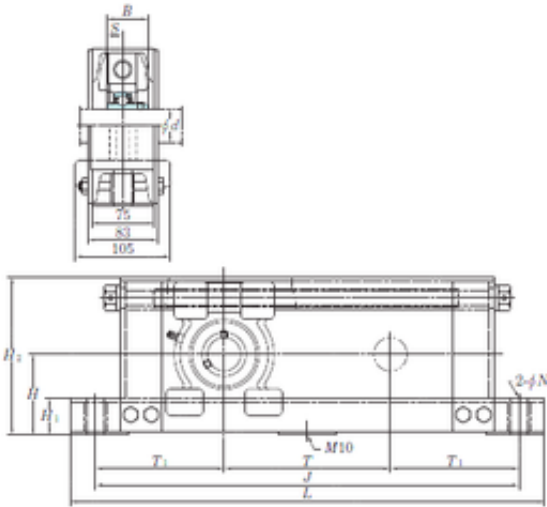




**South sales.**

## KOYO UCTU318-600 Unidad De Rodamiento

Bearing No. UCTU318-600



UCTU318-600 Bearing 2D drawings and 3D CAD models

Bore Diameter	90 mm
Width	96 mm
d	90 mm
T1	245 mm
B	96 mm
H	170 mm
H1	55 mm
H2	335 mm
J	1090 mm
L	1150 mm
N	22 mm
S	40 mm
T	600 mm
Bolt (G)	M18
Weight	67 Kg
Basic dynamic load rating (C)	143 kN
Basic static load rating (C0)	107 kN